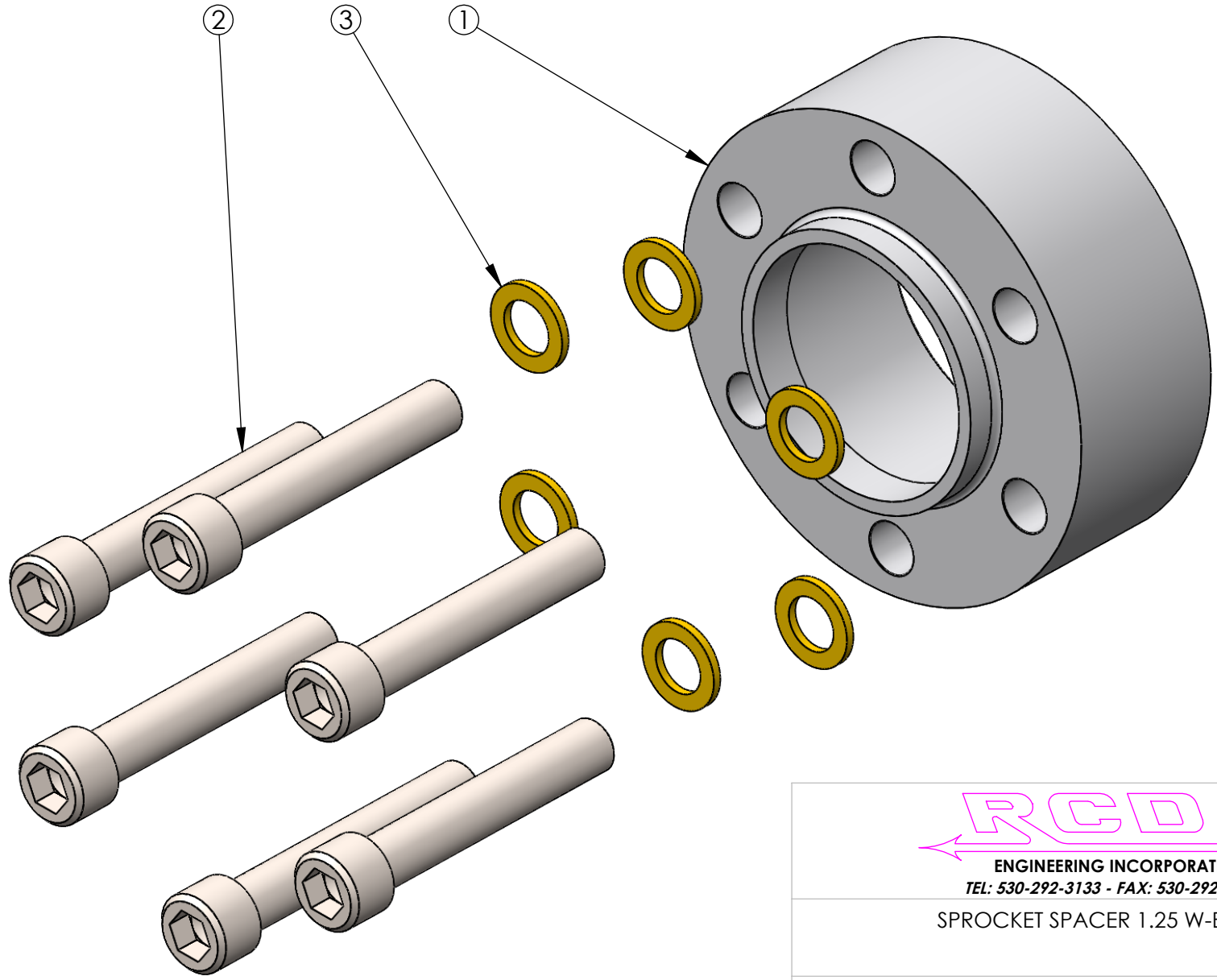


ITEM	PART NO.	DESCRIPTION	QTY.
1	151703-20	SPROCKET SPACER 1.25	1
2	357337-36	SHCS 3/8-24 x 2.25	6
3	352503-06	3/8 AN WASHER	6



ENGINEERING INCORPORATED  
 TEL: 530-292-3133 - FAX: 530-292-3738

SPROCKET SPACER 1.25 W-BOLTS